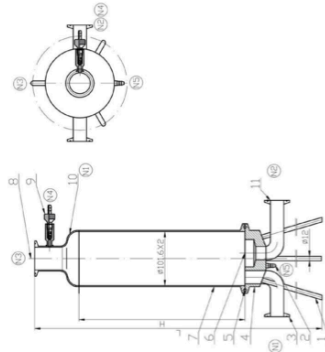


Single core sanitary liquid filter

HY1 Series

Single core stainless steel liquid filter, made of SUS316L stainless steel. One filter cartridge is used as the filter cartridge, and the design meets the requirements of sanitation and GMP. Mechanical polishing, no sanitary dead corners, small flow resistance, acid and alkali resistance, corrosion resistance, convenient cleaning and disinfection, etc. It is suitable for the filtration of small flow in the pharmaceutical and food industries.

Dimensional Drawing



Product Specification

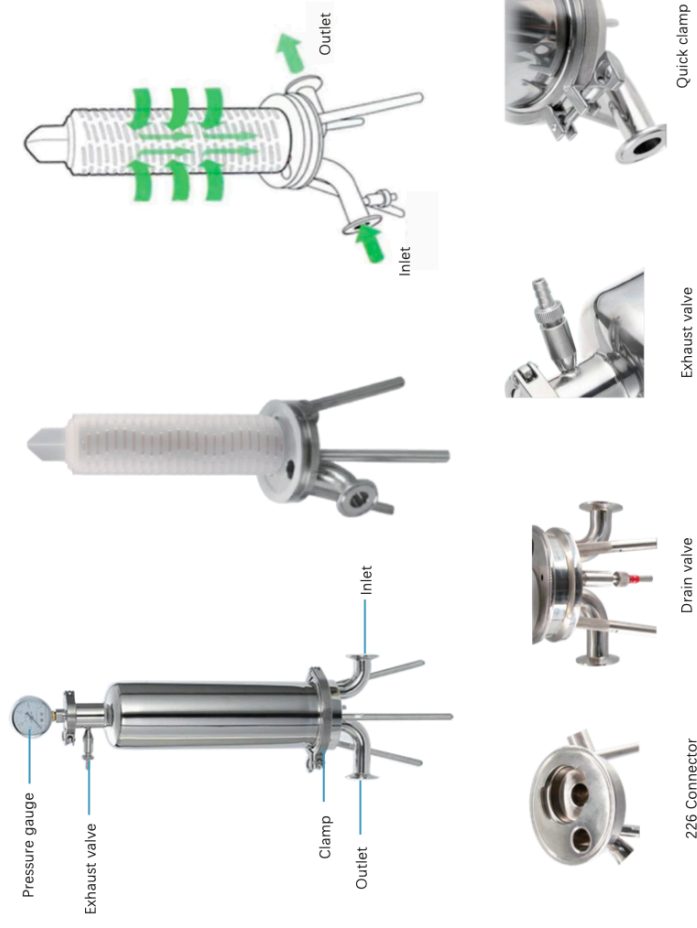
Housing material	304,316L
Exhaust valve / Drain valve	304,316L
Clamp	304
Supporting feet	304
Seal ring / gasket	Silicone , Viton, EPDM, PTFE
Design pressure	0.80Mpa
Maximum working temperature	100°C
Cylinder connection	Three-stage clamp, strong clamp
Input /output	Quick opening / Flange
Exhaust valve / Drain valve	1/4" Hose connector
Pressure gauge	1.5" Quick opening
Polishing type	Mechanical polishing/ Electrolytic polishing
Polishing accuracy	Internal Ra <0.40 μm and external Ra <0.80 μm

Ordering Information

HY1 1 2 3 4 5 6 7

Block 1	Block 2	Block 3	Block 4	Block 5
Housing Material	End Cap Type (Filter cartridge)	Length (Filter cartridge)	Cylinder Connector	Input/output Connector
04=304	H=226	05=5inch	K=Quick opening	K=Quick opening
06=316L	R=222	10=10inch	F=Flange	F=Flange
	E=DOE	20=20inch		
		30=30inch		

Block 6	Block 7
Input/Output Diameter	Surface Treatment (internal)
K20=φ20	A=Mechanical polishing
K25=φ25	B=Electrolytic polishing
K32=φ32	



226 Connector

Drain valve

Exhaust valve

Quick clamp