

Disposable disc filter KS Series

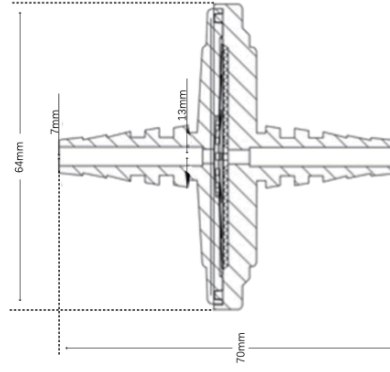
Eternalwater KS series--Disposable disc filters can be equipped with a variety of membrane materials, which are widely used in biopharmaceutical industry, laboratories and other processes. Suitable for small flow liquid and gas sterilization filtration, 100% integrity testing.



Typical Applications

- Sterile ventilation for small fermentation tanks and storage tanks
- Laboratory grade liquid sterilization filtration
- Sterile aeration of culture media
- Bioreactor Gas Sterilization Filtration
- Disposable stock solution sterile filtration
- Buffer solution filtration
- Sterile Filtration of Cell Culture Media

Dimensional Drawing



Product Specification

Nominal size	ø50mm
Outer Diameter	64mm
Total Length	70mm
Filtration area	19.5cm²
Interface form	Trapezoidal hose interface (Φ 7-13mm), inner 6:100uer interface
Housing material	Polypropylene
Maximum Operating Pressure Difference	3.5bar@23°C
Sealing Technology	Hot melt welding (without adhesive)
Sterilization	Can be sterilized by high-pressure steam at 126°C for 30 minutes and 3 times Can be sterilized by Gamma radiation up to 45KGy
Bacterial Endotoxin	According to the bacterial endotoxin test method stipulated in the general rule (1143) of the Chinese Pharmacopoeia 2020 edition. As determined by Limulus reagent (LAL), the aqueous extract content is < 0.25 EU/mL
Microbial Challenge Test	>10 ⁷ cfu/cm²; according to ASTM® test method passed Pseudomonas diminuta (β. diminuta) (ATCC® 19146)
Biosecurity	All materials meet USP <88> Reaction Test Standards for Plastic Materials Class VI - 70°C
TOC/Conductivity	TOC value ≤0.5mg/L, conductivity value ≤1.3us/cm. According to the Chinese Pharmacopoeia 2020 Edition, the general rule (0682) the determination method of total organic carbon in pharmaceutical water and the general rule (0681) the determination method of the conductivity of pharmaceutical water
Cleanliness	According to the light inspection method stipulated in the general rules (0904) of the Chinese Pharmacopoeia 2020 edition, no fibers and other visible foreign matter were detected in the filtrate
Factory system	Strictly implement the ISO 9001:2015 quality management system

Order Information

KS 1 2 3 4 5 6

Block 1	Membrane Material S=Hydrophilic PES ST=Hydrophobic PES T=Hydrophobic PTFE LT=Hydrophilic PTFE V=Hydrophobic PVDF LV=Hydrophilic PVDF M=MCE N=Nylon P=PP	Block 2	Removal Rating 005=0.05µm 010=0.10µm 020=0.20µm 045=0.45µm 065=0.65µm 080=0.80µm 100=1.00µm 120=1.20µm	Block 3	Diameter 50=50mm	Block 4	End Cap Type L= Ø7-13mm hose connection
				Block 5	Sterilized Form G = Resistance to Gamma Radiation Sterilization Z = Autoclave only W = Sterile type		
				Block 6			
				Packing 1=1 Pcs/Box 10=10 Pcs/Box			